



# Hi-Flow Dry-Release Couplings



*Advanced Fluid Handling Systems  
by Novaflex®*

## **IN USA**

### **North Carolina**

449 Trollingwood Road  
Haw River, NC 27258  
tel (336)578-2161  
fax (336)578-5554  
800-334-4270

### **New Jersey**

1024 Industrial Drive  
West Berlin, NJ 08091  
tel (856)768-2275  
fax (856)768-2385  
800-225-0215

### **Indianapolis**

7812 Moller Road  
Indianapolis, IN 46268  
tel (317)334-1444  
fax (317)334-1535  
800-526-6288

## **IN CANADA**

### **Ajax, Ontario**

555 Beck Crescent  
Ajax, ON L1Z 1C9  
tel (905)686-5200  
fax (905) 686-8349  
800-563-3539

## **IN U.K.**

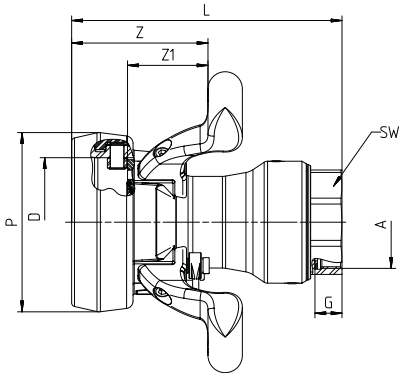
### **Bromborough, Wirral**

18 Plantation Park 2, Power Road  
Bromborough, Wirral UK CH62 3QT  
tel 44(0)151-334-0873  
fax 44(0)151-334-7145  
www.novaflex.co.uk Email: sales@novaflex.co.uk

## HDC-CPL 2.5" Stainless Steel 316L

Dry-Release Coupler

PART ID: 8CPLSV02.5

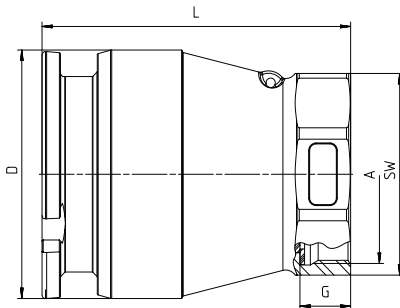


NPS Size	D Socket	A Connection	G Thread Length	L Length	P Protection Ring	H (with Handles)	Weight kg/lbs	Pressure
2.5"	105 mm	BSP ISO 228-G 2.5	22 mm/0.86"	220 mm/8.66"	146 mm	245 mm	7.1 Kg/15.65 lbs	25bar/362psi
2.5"	105 mm	NPT ANSI B2.1	31 mm/1.22"	225 mm/8.85"	146 mm	245 mm	7.3 Kg/16.09 lbs	25bar/362psi

## HDC-ADP 2.5" Stainless Steel 316L

Dry-Release Adapter

PART ID: 8ADPSV02.5

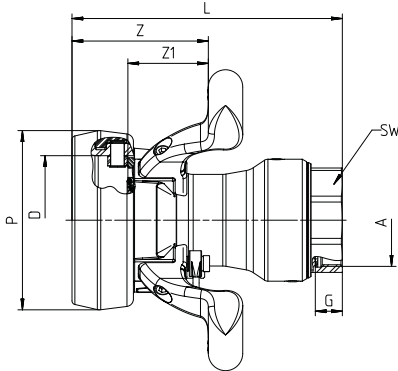


NPS Size	D Socket	A Connection	G Thread Length	L Length	Weight kg/lbs	Pressure
2.5"	105 mm	BSP ISO 228-G 2.5	22 mm/0.86"	134 mm/5.27"	2.7 Kg/5.95 lbs	25bar/362psi
2.5"	105 mm	NPT ANSI B2.1	31 mm/1.22"	144 mm/5.66"	3.0 Kg/6.61 lbs	25bar/362psi

# NovaFlex® 2.5" Hi-Flow® Dry-Release® Couplings HDC®

## HDC-CPL 2.5" Aluminum

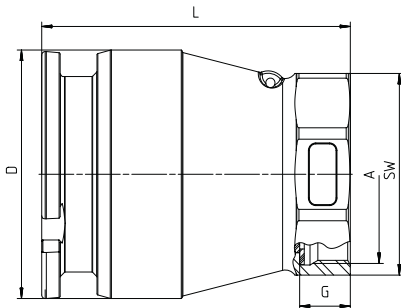
Dry-Release Coupler  
PART ID: 8CPLAV02.5



NPS Size	D Socket	A Connection	G Thread Length	L Length	P Protection Ring	H (with Handles)	Weight kg/lbs	Pressure*
2.5"	105 mm	BSP ISO 228-G 2.5	22 mm/0.94"	220 mm/8.66"	146 mm	245 mm	3.4 Kg/7.49 lbs	16bar/232psi
2.5"	105 mm	NPT ANSI B2.1	31 mm/1.33"	225 mm/8.85"	146 mm	245 mm	3.5 Kg/7.71 lbs	16bar/232psi

## HDC-ADP 2.5" Aluminum

Dry-Release Adapter  
PART ID: 8ADPAV02.5



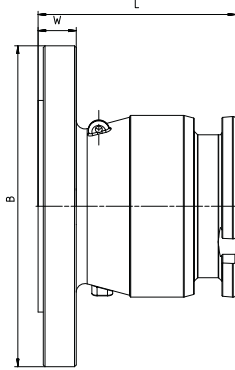
NPS Size	D Socket	A Connection	G Thread Length	L Length	Weight kg/lbs	Pressure*
2.5"	105 mm	BSP ISO 228-G 2.5	22 mm/0.86"	134 mm/5.27"	1.0 Kg/2.2 lbs	16bar/232psi
2.5"	105 mm	NPT ANSI B2.1	31 mm/1.22"	144 mm/5.66"	1.0 Kg/2.2 lbs	16bar/232psi

Novaflex HDC® couplers and adapters equipped standard with Viton® seals. Other elastomers available upon request.

## HDC-ADF 2.5" Stainless Steel 316L

Dry-Release Flanged Adapter

PART ID: 8ADFSV02.5

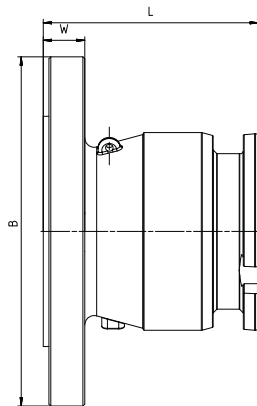


NPS Size	D Socket	A Connection	B Flange Diameter	G Flange Width	L Length	Weight kg/lbs	Pressure
2.5"	105 mm	ANSI B 16.5 2" Class 150	177.8 mm/7.5"	22.4mm/0.88"	144 mm/5.66"	5.5 Kg/12.12 lbs	16bar/232psi

## HDC-ADF 2.5" Aluminum

Dry-Release Flanged Adapter

PART ID: 8ADFAV02.5



NPS Size	D Socket	A Connection	B Flange Diameter	G Flange Width	L Length	Weight kg/lbs	Pressure
2.5"	105 mm	ANSI B 16.5 2" Class 150	185 mm/7.28"	18 mm/0.70"	144 mm/5.66"	1.7 Kg/3.75 lbs	16bar/232psi

The information provided within is for informational purposes only. We have made every effort to ensure the accuracy of the provided information and assume no responsibility for any loss or damage due to errors or omissions or to the use or misuse of any information supplied. It is impossible to test all products under all conditions to which they might be subjected in the field. It is therefore the buyer and/or end users' responsibility to test all products under the conditions that duplicate the service conditions prior to installation. All improvements, all specifications are subject to change without prior notice. It is the buyer and/or end users' responsibility to review our complete **Terms and Conditions of Sale** located on our web sites at: [www.novaflex.com](http://www.novaflex.com) | [www.z-flex.com](http://www.z-flex.com) | [www.flexmaster.com](http://www.flexmaster.com).

Novaflex HDC® couplers and adapters equipped standard with Viton® seals. Other elastomers available upon request.